

**Serie | 4, washing machine, front loader, 6.5 kg, 1000 rpm  
WAK20267IN**



**The washing machine with Speed+ reduces wash cycles by up to 65%, while achieving the same perfect cleaning results.**

- Anti-Vibration Side Panels reduce vibrations and ensure greater stability during the washing and spinning process
- **VoltCheck:** feedback to users in case of unstable electricity supply
- Anti-Vibration Side Panels reduce vibrations and ensure greater stability during the washing and spinning process.
- AntiVibration™ Design provides more stability and reduces vibration so noise is minimised
- VarioDrum's breakthrough wave-droplet design provides a thorough yet gentle clean for fine textiles

**Technical Data**

Built-in / Free-standing :	Freestanding
Door hinge :	left
Color / Material body :	Silver
Length electrical supply cord (cm) :	160
Height for building under :	843.00
Height of the product (mm) :	850
Dimensions of the product (mm) :	850 x 600 x 600
Wheels :	No
Net weight (kg) :	70.984
Drum volume (l) :	58
Main colour of product :	Silver
Door Frame :	Silver-black
Color Buttons :	silver
Color Dial :	silver
Noise level washing (dB(A) re 1 pW) :	49
Connection Rating (W) :	2300
Current (A) :	10
Voltage (V) :	220-240
Frequency (Hz) :	50
Energy Star Qualified :	No
Cord Included :	No
Length of drain hose (in) :	59.05
Length of supply hose (in) :	59.05
Appliance Dimensions (h x w x d) (inches) :	x x
Dimensions of the packed product (in) :	37.99 x 25.78 x 27.95
Net weight (lbs) :	156
Gross weight (lbs) :	168
Length of drain hose :	150.00
Length of supply hose :	150.00
Dimensions of the packed product (HxWxD) (mm) :	965 x 710 x 655
Gross weight (kg) :	76.0
Connection Rating (W) :	2300
Current (A) :	10
Voltage (V) :	220-240
Frequency (Hz) :	50
Approval certificates :	CE, VDE
Water protection system :	Multiple water protection
Number of Options :	7
Maximum spin speed (rpm) :	1000
Spin speed options :	Variable
Digital countdown indicator :	Yes
Drying progress indicator :	LED, LED-display



4 242005 103539

**Serie | 4, washing machine, front loader, 6.5 kg, 1000 rpm  
WAK20267IN**

**The washing machine with Speed+ reduces wash cycles by up to 65%, while achieving the same perfect cleaning results.**

---

**Technical Information**

- Capacity: 6.5 kg
- Maximum spin speed: 1000 r/min
- Dimensions (H X W X D): 85 x 60 x 60 cm
- 32 cm porthole, 165° swing door

**Programmes**

- Speed Programs: Cottons, Mix/Daily Wash, Synthetics, Delicates/ Silk
- Other Programs: Super 15'/30', Kidswear, AllergyPlus, Wool, Drum Clean, Rinse, Spin/Drain, Jeans, Sportswear

**Features**

- Speed+: High Performance Program which reduces wash cycle duration by up to 65%
- ActiveWater™: Pressure sensor that detects half-loads and cuts water intake in half
- VarioDrum's breakthrough wave-droplet design provides a thorough yet gentle clean for fine textiles
- Anti-Vibration Side Panels reduce vibrations and ensure greater stability during the washing and spinning process
- Reload function to pause machine operation for adding in last minute laundry items
- Foam detection system to remove excessive foam

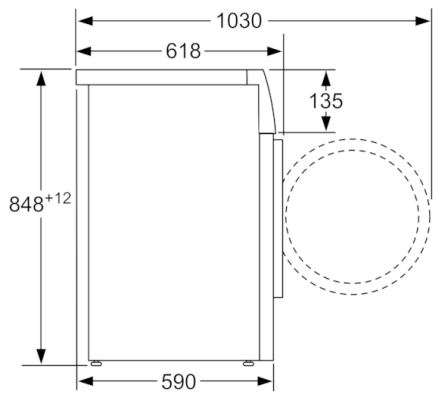
**Safety**

- Multiple water protection with magnetic valve to minimise risk of leakage
- Voltmonitor monitors and regulates voltage fluctuations to protect the washing machine and ensure a smooth wash cycle

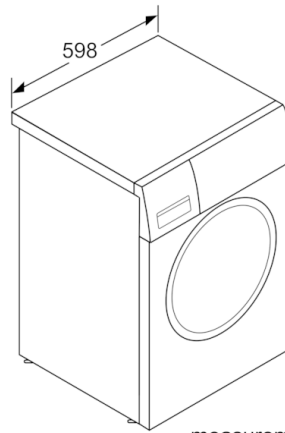
**Display Screen & Alerts**

- LED display screen to indicate: Programme status, Temperature and Spin Speed Selection, Remaining Time and 24 Hour End Time Delay,
- Buzzer at the end of the wash programme

**Serie | 4, washing machine, front loader, 6.5  
kg, 1000 rpm  
WAK20267IN**



measurements in mm



measurements in mm